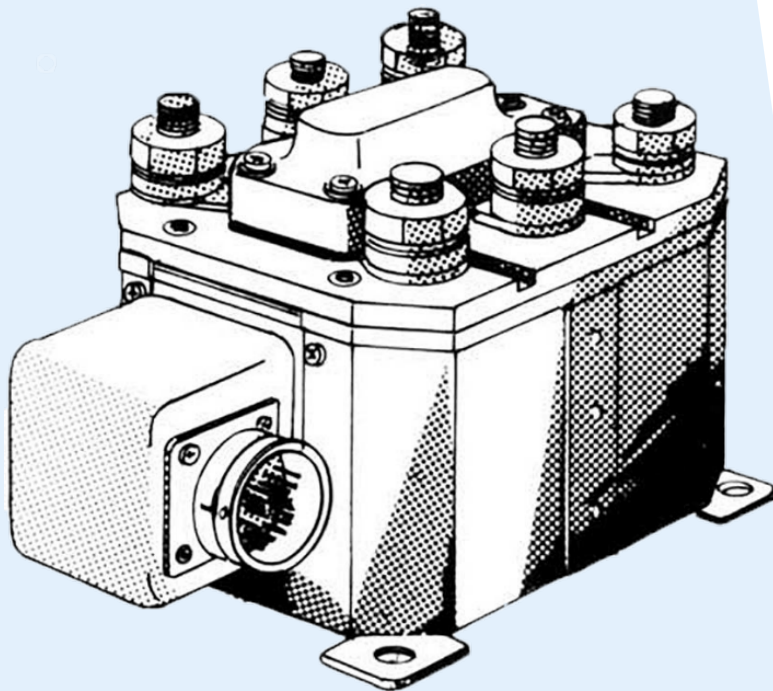




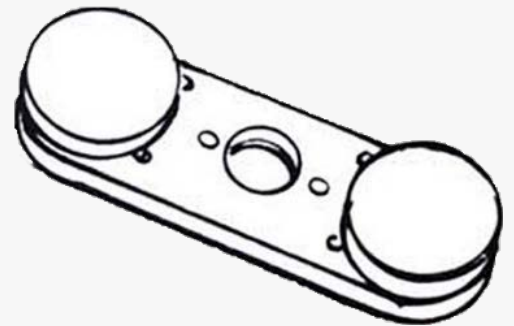
Sil-Met™ REPAIR SOLUTIONS CONTACTS & RELAY ASSEMBLIES

LUCAS RELAY FOR
LOCKHEED L1011



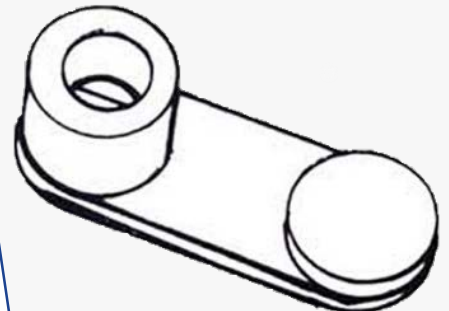
50087-004, -006, -007

REPAIRED BUS BAR



PN: 50087-1220

REPAIRED
CONTACT BAR



PN: 50087-1201

FAA AND AIRLINE APPROVED REPAIR PROCESS FOR INDIVIDUAL CONTACTS AND RELAY ASSEMBLIES

NAASCO, 222 Grand Ave. Brookhaven Airport, Shirley, NY 11967
Tel: 631-399-2244 • www.naasco.com • Fax: 631-399-2275
FAA Repair Station No. FD1R135K / EASA.145.4687