



HELICOPTER PRODUCT BULLETIN

NAASCO WILL RAISE YOUR EXPECTATIONS



At NAASCO, we strive to maintain the highest levels of reliability and dependability to give our customers the competitive edge.

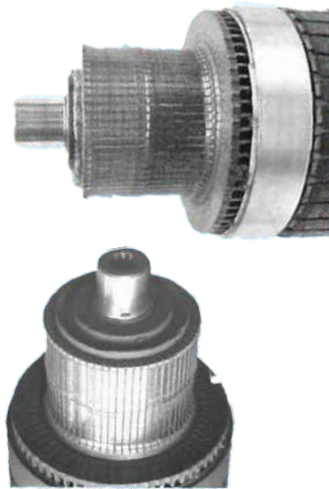
Since 1984, NAASCO has continued to provide money-saving solutions for costly, obsolete, or otherwise troublesome components.

We are confident that our cost-saving repair programs will greatly reduce your maintenance costs.

PRODUCT CATEGORY GUIDE & ETR™ BRUSH APPLICATIONS

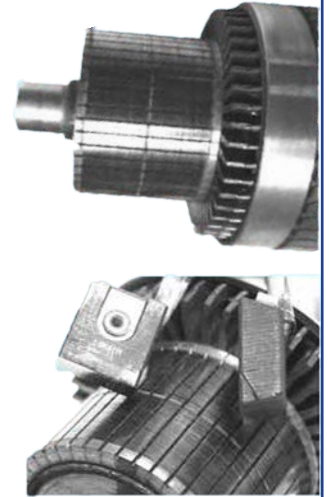
WITHOUT ETR™

Example of armature as removed from unit with 898.0 hours of service. After 3 brush changes, the commutator measured .047" wear.



WITH ETR™

Example of armature as removed from unit with over 1,000 hours of uninterrupted service. The commutator measured .003" wear.



SEEING IS BELIEVING

Maximize your return on investment with NAASCO's ETR™ technology. By eliminating the need for untimely brush changes, our ETR™ improvements increase starter generator reliability, reduce armature commutator wear and extend armature life.



HELICOPTER MODELS

AGUSTA ▪ AIRBUS HELICOPTER ▪ BELL HELICOPTER
BOEING ▪ MD ▪ SIKORSKY ▪ SOLOY



STARTER GENERATORS

23032

ETR™ BRUSH: N1828-1

23046

ETR™ BRUSH: N1831-1 or N1833-1

23048

ETR™ BRUSH: N1831-1 or N1833-1

23081

ETR™ BRUSH: N1830-1

23092

ETR™ BRUSH: N1830-1

150SG

ETR™ BRUSH: N1834-1

200SGL

ETR™ BRUSH: N1830-1

200SG

ETR™ BRUSH: N1831-1

250SG

ETR™ BRUSH: N1831-1